

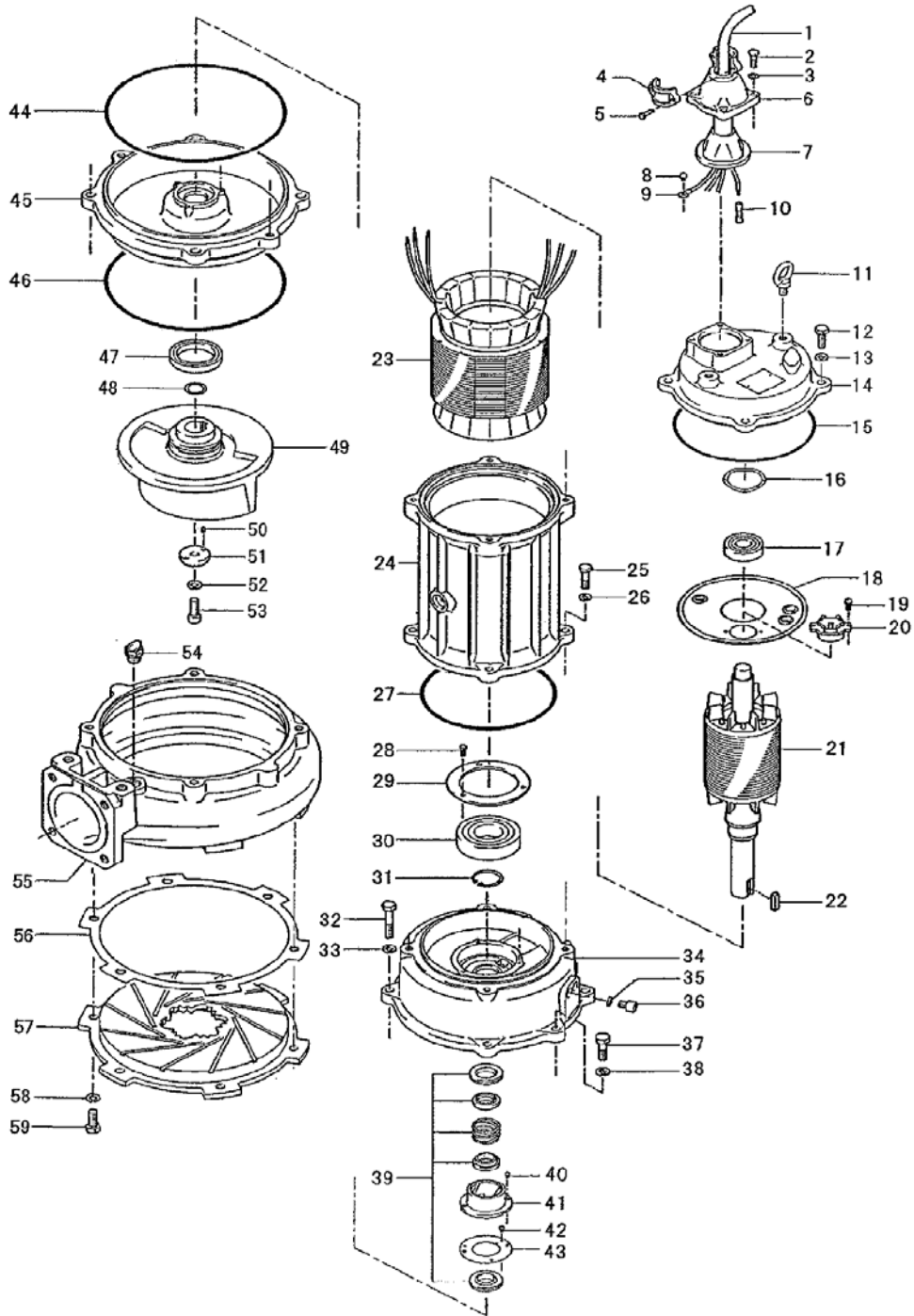
PARTS LIST		SUBMERSIBLE CUTTER PUMP				10/27/2017
ITEM	PART No.	DESCRIPTION	QTY	SIZE	MATERIAL	NOTES
1	001-938-25	Cabtyre Cable Set (32') 60HZ(USA)	1	2PNCT4Cx5.5mm2	KR-2	
2	140-055-10	Hex.Bolt	4	M8x25	SUS304	
3	142-163-18	Spring Washer	4	M8	SUS304	
4	070-107-18	Cable Clamp	1		FC	included in ITEM #1 Cable Ass'y
5	140-035-14	Hex.Bolt	2	M6x20	SUS304	included in ITEM #1 Cable Ass'y
6	006-126-14	Stuffing Box	1	No.2	FC	included in ITEM #1 Cable Ass'y
7	008-143-13	Mould Cover	1	KR2-8	CR	included in ITEM #1 Cable Ass'y
8	143-085-21	Pan Screw (w/Spring Washer)	1	M4x6	SWRM	
9	009-130-10	Terminal	1	R-5.5-4	CU	included in ITEM #1 Cable Ass'y
10	009-276-19	Compression type Terminal	3	TMNB-5.5(Insulated)		included in ITEM #1 Cable Ass'y
11	072-107-14	Eye Bolt	2	M16	SS	can substitute 072-107-27 (SUS304)
	142-399-15	Washer		d17xd29x0.1t	SUS304	
	142-400-10	Washer		d17xd29x0.3t	SUS304	
12	140-098-15	Hex.Bolt	4	M12x35	SUS304	
13	142-165-10	Spring Washer	4	M12	SUS304	
14	050-000-79	Motor Bracket	1		FC	
15	122-173-19	O-Ring	1	V-225(222.5xd6)	NBR	*
16	142-000-08	Wave Washer	1	6306B(d71xd59x4.0t)	SK5	
17	052-000-25	Bearing (w/O-ring)	1	AC-6306ZZC3		
18	058-000-09	Lead Wire Protection Plate	1	d86xd224x1.6t	SPHC	
19	143-126-12	Pan Screw (w/Spring Washer/Plain Washer)	2	M4x12	SWRM	
20	053-456-12	Motor Protector 208/230V-60HZ(USA)	1	KA314-HLBL00	(H.C)	
	053-485-10	Motor Protector 460V-60HZ(USA)	1	KA314-HKXL00	(H.C)	
	053-485-10	Motor Protector 575V-60HZ(USA)	1	KA314-HKXL00	(H.C)	
21	055-000-68	Rotor	1Set			
22	147-067-16	Impeller Key	1	10x8x32L	SUS420	
23	056-C01-19	Stator 208/230V-60HZ(USA)	1Set			
	056-C02-10	Stator 460V-60HZ(USA)	1Set			
	056-C05-13	Stator 575V-60HZ(USA)	1Set			
24	064-000-12	Motor Frame	1		FC	
25	140-100-11	Hex.Bolt	4	M12x45	SUS304	
26	142-165-10	Spring Washer	4	M12	SUS304	
27	122-173-19	O-Ring	1	V-225(222.5xd6)	NBR	*
28	140-032-37	Hex.Bolt	3	M6x15	SWRM	
29	062-223-16	Bearing Fixing Plate	1	d92xd130x4.5t	SS	
30	052-112-10	Bearing	1	6309ZZC3		
31	146-027-11	Retaining Ring	1	C45	SK5	
32	140-104-15	Hex.Bolt	4	M12x65	SUS304	

PARTS LIST		SUBMERSIBLE CUTTER PUMP				10/27/2017
ITEM	PART No.	DESCRIPTION	QTY	SIZE	MATERIAL	NOTES
33	142-165-10	Spring Washer	4	M12	SUS304	
34	060-430-12	Bearing Housing	1		FC	
35	121-247-12	Packing	2	d12.3xd18x2t	PE	*
36	035-113-18	Oil Plug	2	M12x14	SUS304	
37	140-099-16	Hex.Bolt	2	M12x40	SUS304	
38	142-165-10	Spring Washer	2	M12	SUS304	
39	025-195-13	Mechanical Seal	1	H-35	SiC	
40	143-070-23	Pan Screw	2	M5x6	SWRM	
41	030-156-18	Oil Lifter	1	H-35(A)(T)	Resin	
42	143-070-10	Pan Screw	3	M5x6	SWRM	
43	030-150-12	Seal Stopper	1	H-35(A)(T)	SPCC	
44	122-159-19	O-Ring	1	G-280(279.3xd5.7)	NBR	*
45	029-187-14	Oil Casing	1	100-5.5/7.5-4B2	FC	
46	122-159-19	O-Ring	1	G-280(279.3xd5.7)	NBR	*
47	026-115-12	Oil Seal	1	TC-608212	NBR	
48	040-124-18	Impeller Shim		d25.2xd35x0.3t	SUS304	
49	021-810-22	Impeller (60Hz)	1	100C47.5-CR-63	FC	
50	144-530-16	Hex.Socket Set Screw	2	M6x15	SUS304	
51	142-202-10	Impeller Fixing Washer	1	d13xd50x15t	SUS304	
52	142-000-22	Spring Washer	1	M12(CP)	SUS304	
53	140-304-17	Hex.Socket Cap Bolt	1	M12x45	SUS304	
54	046-107-13	Air Release Valve	1	PT-1/2	Nylon	
55	020-531-23	Pump Casing	1	100-5.5/7.5-4B2	FC	
56	120-102-11	Packing (S.Cover)		d301xd328x0.3t	PE	
57	022-B50-17	Suction Cover	1	55/110-CE2	HiCrFC	
58	142-165-10	Spring Washer	3	M12	SUS304	
59	140-097-14	Hex.Bolt	3	M12x30	SUS304	
	173-001-22	Packing O-Ring Set	1Set	(Marked by *)		
15	122-173-19	O-Ring (M.Bracket/M.Frame)	1	V-225(222.5xd6)	NBR	*
27	122-173-19	O-Ring (M.Frame/Brg.Housing)	1	V-225(222.5xd6)	NBR	*
35	121-247-12	Packing (Oil Plug)	2	d12.3xd18x2t	PE	*
44	122-159-19	O-Ring (Brg.Housing/O.Casing)	1	G-280(279.3xd5.7)	NBR	*
46	122-159-19	O-Ring (O.Casing/P.Casing)	1	G-280(279.3xd5.7)	NBR	*
		Lubricant		Turbine Oil VG32 5,200ml		
	183-013-19	Impeller Puller	1	BE No.13 2"	SGPSS	

PARTS LIST		SUBMERSIBLE CUTTER PUMP			10/27/2017	
ITEM	PART No.	DESCRIPTION	QTY	SIZE	MATERIAL	NOTES

EXPLODED VIEW

100C47.5-CR-63



C-01238-2